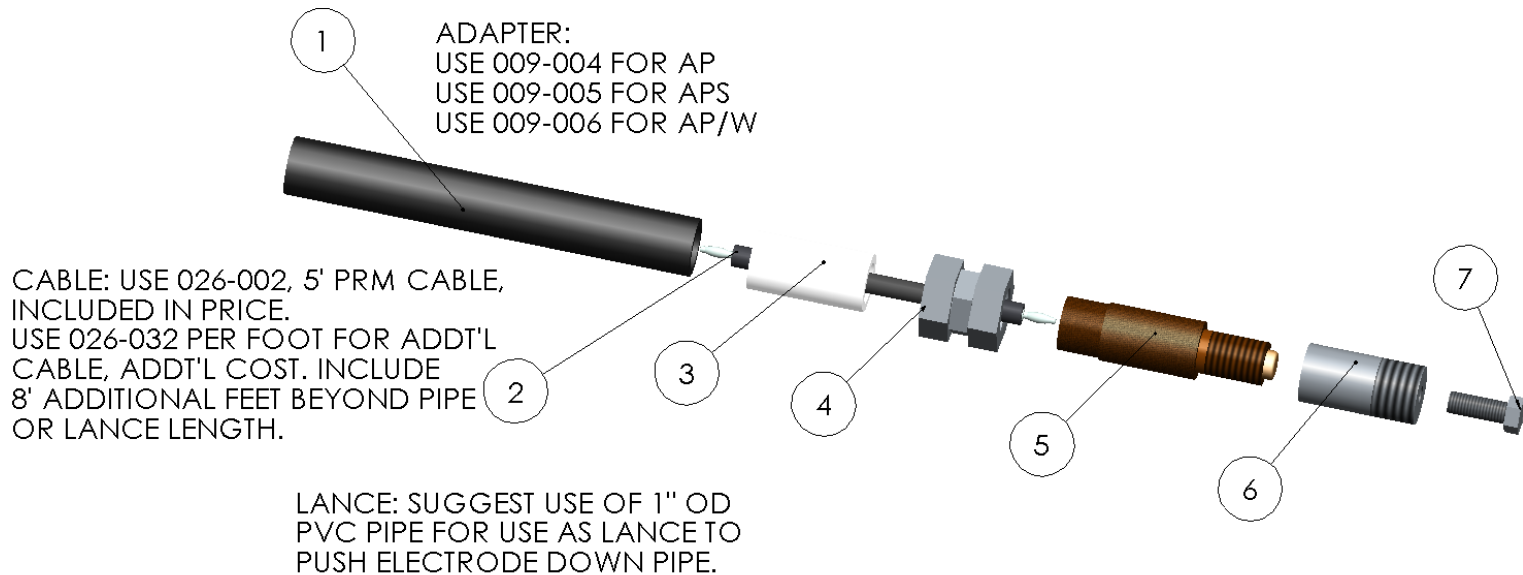


Internal Electrode Connection Kit Less than 10" Pipe ID, No Support Rollers Bill of Materials and Assembly Diagram

ITEM NO.	PART NUMBER	QTY.
1	009-006 ADAPTER, APW, INT ELEC	1
2	PP CABLE WITH BANANA JACKS. PURCHASED SEPARATELY.	1
3	PVC PIPE, 1 INCH OD, LENGTH TO NEED. NOT INCLUDED.	1
4	044-131 CONNECTOR, EMT COUPLING	1
5	009-012 ADAPTER INTERNAL SILICONE ELECTRODE	1
6	044-130 CONNECTOR, INTERNAL ELECT, 009-012 - ELEC	1
7	073-004 BOLT, HEX 0.375 x 16	1
8	Internal silicone-rubber disk, purchased separately. Not shown.	



Internal Electrode Connection Kit Support Rollers for 10" - 15" Pipe ID Shown Bill of Materials and Assembly Diagram

ITEM NO.	PART NUMBER	QTY.
1	009-006 ADAPTER, APW, INT ELEC	1
2	PP CABLE WITH BANANA JACKS. PURCHASED SEPARATELY.	1
3	PVC PIPE, 1 INCH OD, LENGTH TO NEED. NOT INCLUDED.	1
4	044-131 CONNECTOR, EMT COUPLING	1
5	009-012 ADAPTER INTERNAL SILICONE ELECTRODE	1
6	044-130 CONNECTOR, INTERNAL ELECT, 009-012 - ELEC	1
7	044-132 CONNECTOR, PIPE TEE, 0.75 NPT	2
8	073-005 HARDWARE, LEG, 10 to 15 Inch ROLLER ASSEMBLY	2
9	073-008 HARDWARE, LEG STEM, 10 - 15 INTERNAL ELECTRODE ROLLER ASSEMBLY	2
10	052-003 Internal Electrode Roller Assy. Wheel	4
11	044-133 CONNECTOR, 0.75 inch NPT PIPE COUPLER	1
12	044-134 CONNECTOR, INTERNAL ELECT, TEE - ELEC	1
13	073-004 BOLT, HEX 0.375 x 16	1
14	Internal silicone-rubber disk, purchased separately. Not shown.	

